

A 1 Pc

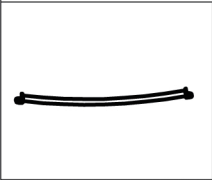
B 1 Pc

C 1 Pc

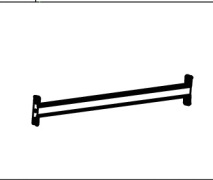
D 1 Pc

E 1 Pc

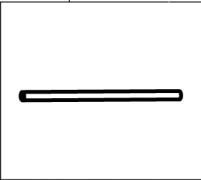
F 2 Pcs



G 3 Pcs



H 2 Pcs



I 1 Pc



J 2 Pcs



Ø6xØ12\*1

K 28 Pcs



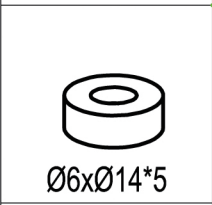
Ø6xØ16\*1

L 8 Pcs



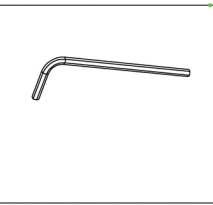
Ø8xØ14\*1

M 6 Pcs

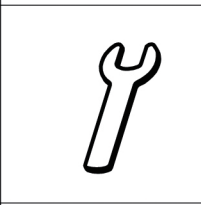


Ø6xØ14\*5

N 2 Pcs



O 1 Pc

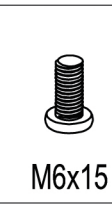


P 1 Pc



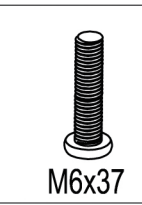
M8

Q 2 Pcs



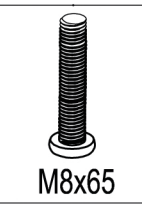
M6x15

R 24 Pcs



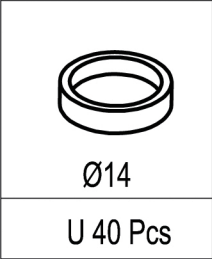
M6x37

S 14 Pcs



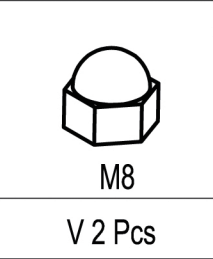
M8x65

T 2 Pcs



Ø14

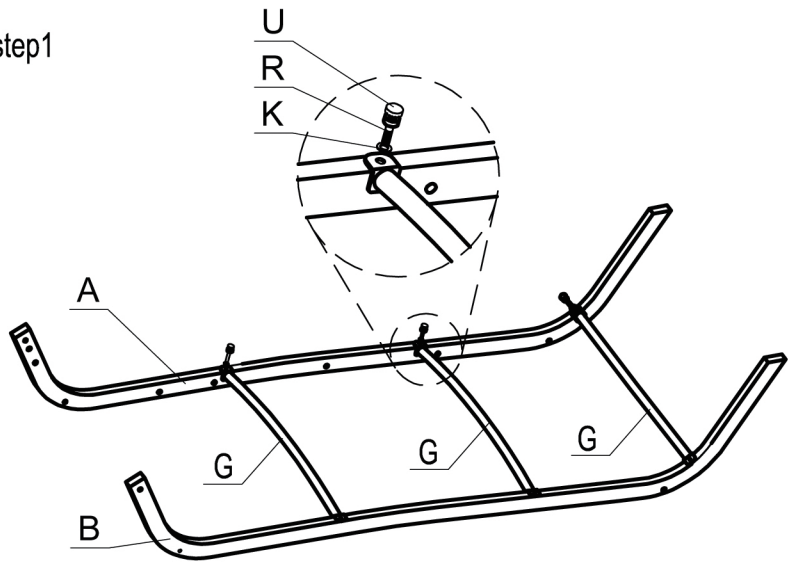
U 40 Pcs



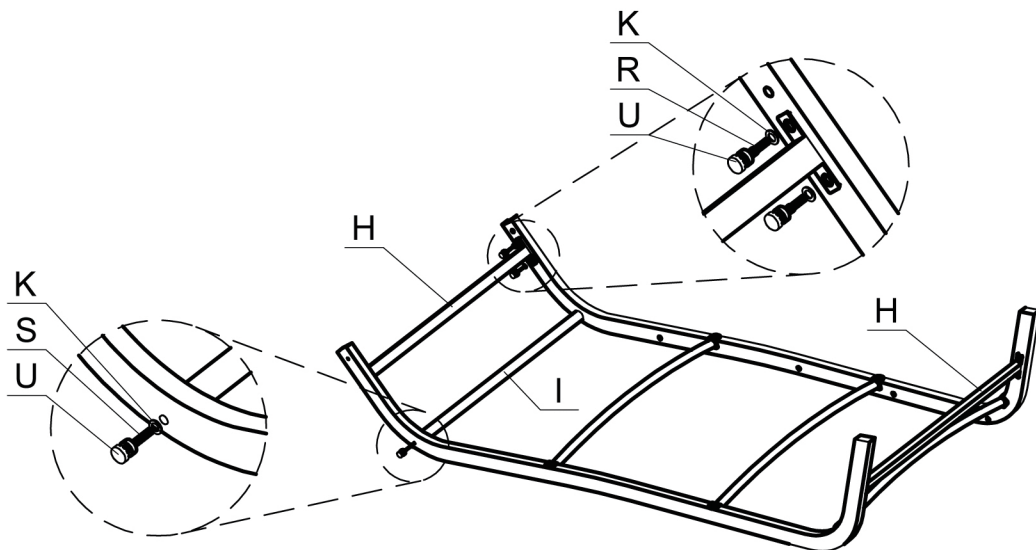
M8

V 2 Pcs

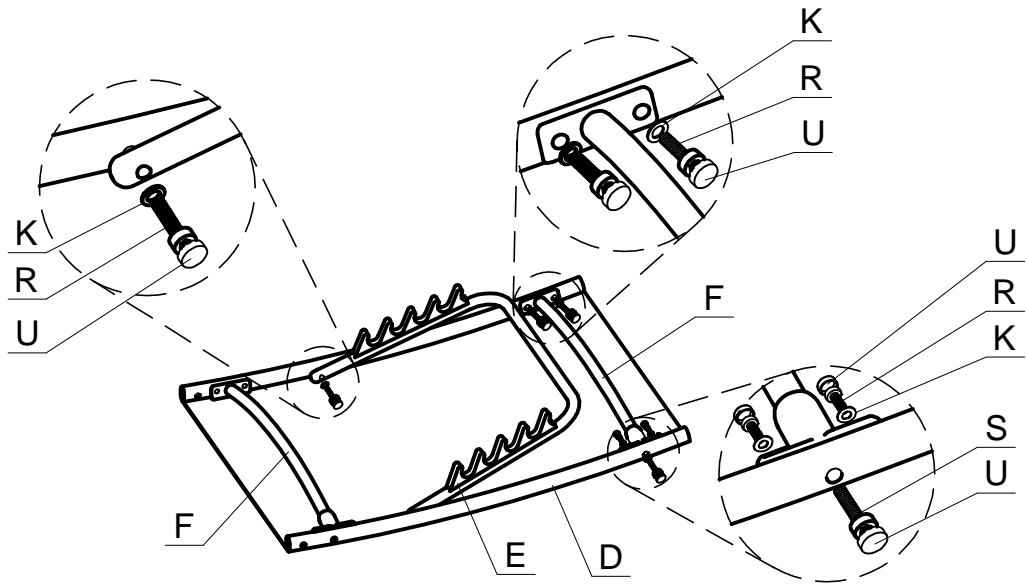
step1



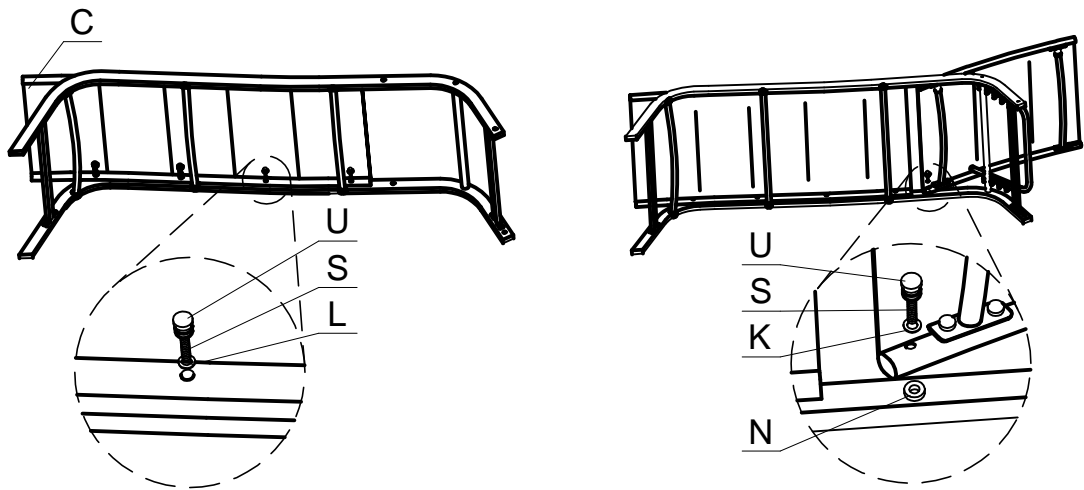
step2



step3



step4



step5

